

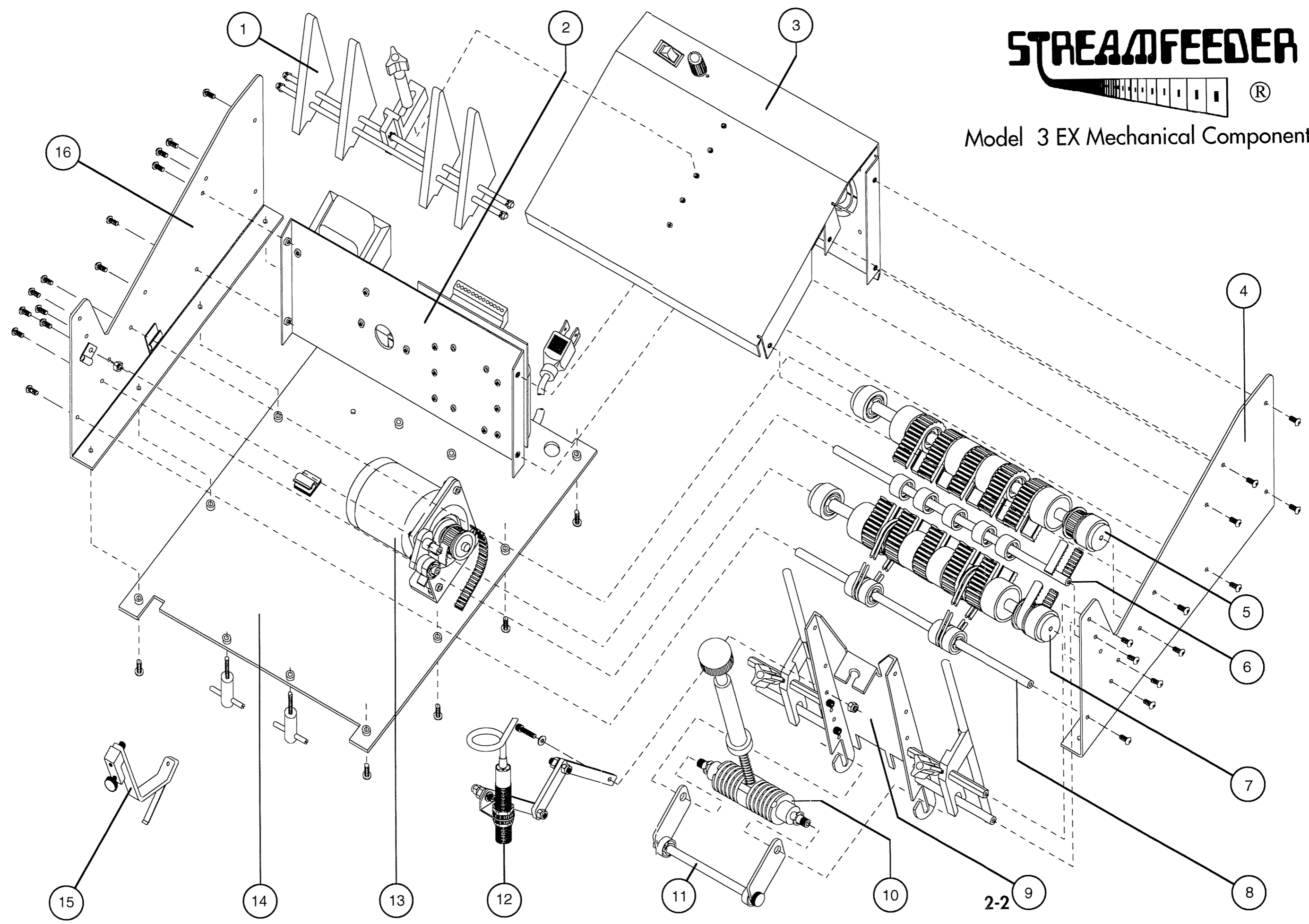
Model 3 EX Mechanical Components

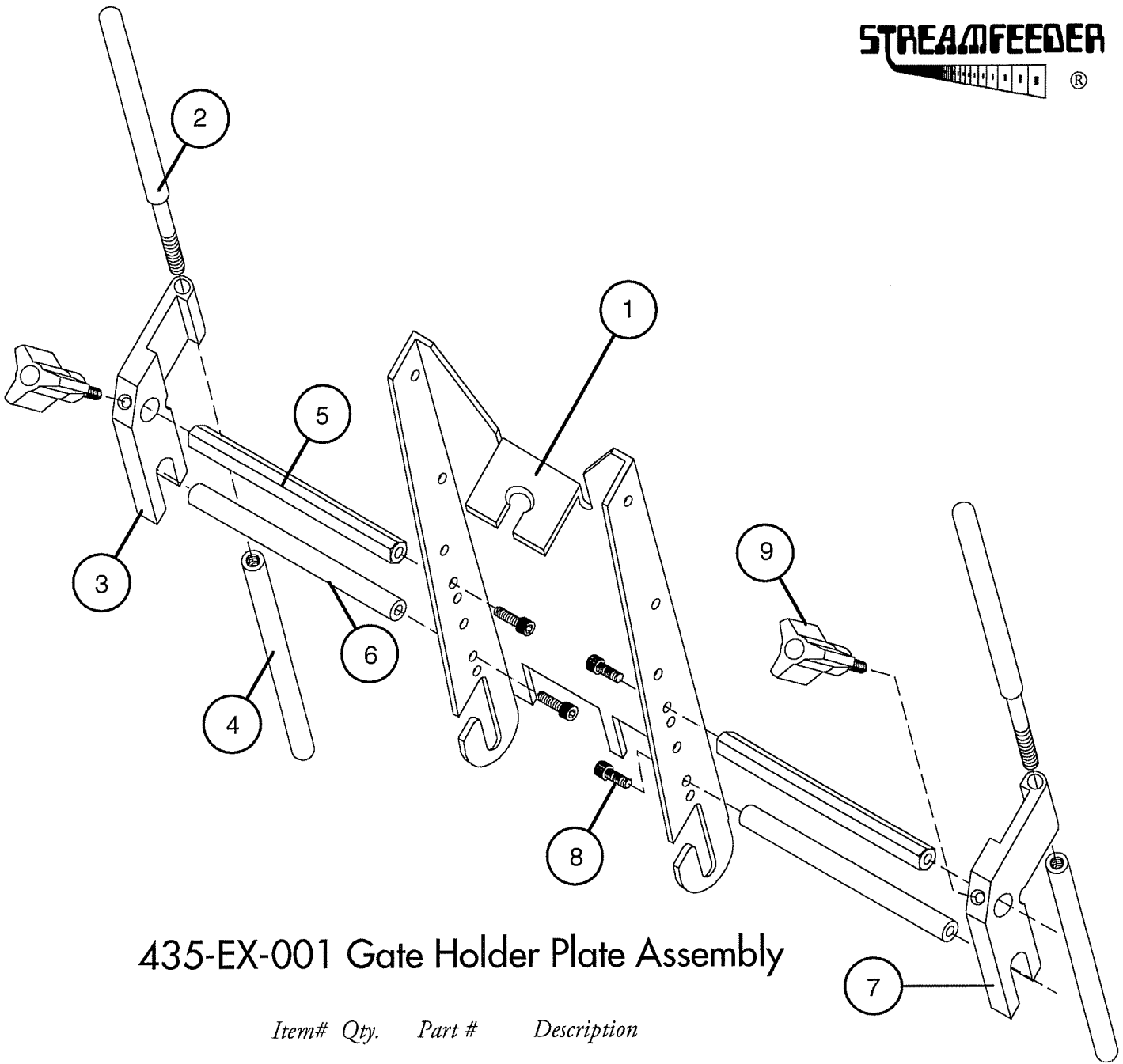
<i>Item #</i>	<i>Page #</i>	<i>Assembly #</i>	<i>Description</i>
1	2-11	435-33-018	Wedge Guide Assembly
2	2-19	535-11-097	Driver Pack Assembly
3	2-6	435-EX-004	Table Top Assembly (110V)
	2-6	435-EX-004	Table Top Assembly (220V)
4	2-5	435-00-003	Left-Hand Side Plate
5	2-13	435-EX-026	Feed Driven Shaft Assembly
6	2-15	435-EX-030	Belt Support Bearing Assembly
7	2-17	435-EX-041	Feed Drive Shaft Assembly
8	2-14	435-EX-029	O-Ring Discharge Assembly
9	2-3	435-EX-001	Gate Holder Plate Assembly
10	2-12	235-11-020	Gate Cylinder Assembly
11	2-16	235-11-034	Discharge Assist Assembly
12	2-10	435-11-016	Sensor & Extension Assembly
13	2-18	435-11-099	Drive Motor Assembly (110V)
	2-18	435-22-099	Drive Motor Assembly (220V)
14	2-8	435-EX-007	Base Plate Assembly
15	2-9	235-11-008	Standard Material Hold Down Assembly
16	2-4	435-00-002	Right-Hand Side Plate
17	2-7	235-11-006	*Tall Insert Guide Assembly
18	2-20	435-11-200	*Support Stand Assembly

*Not Shown in Drawing on Page 2-2



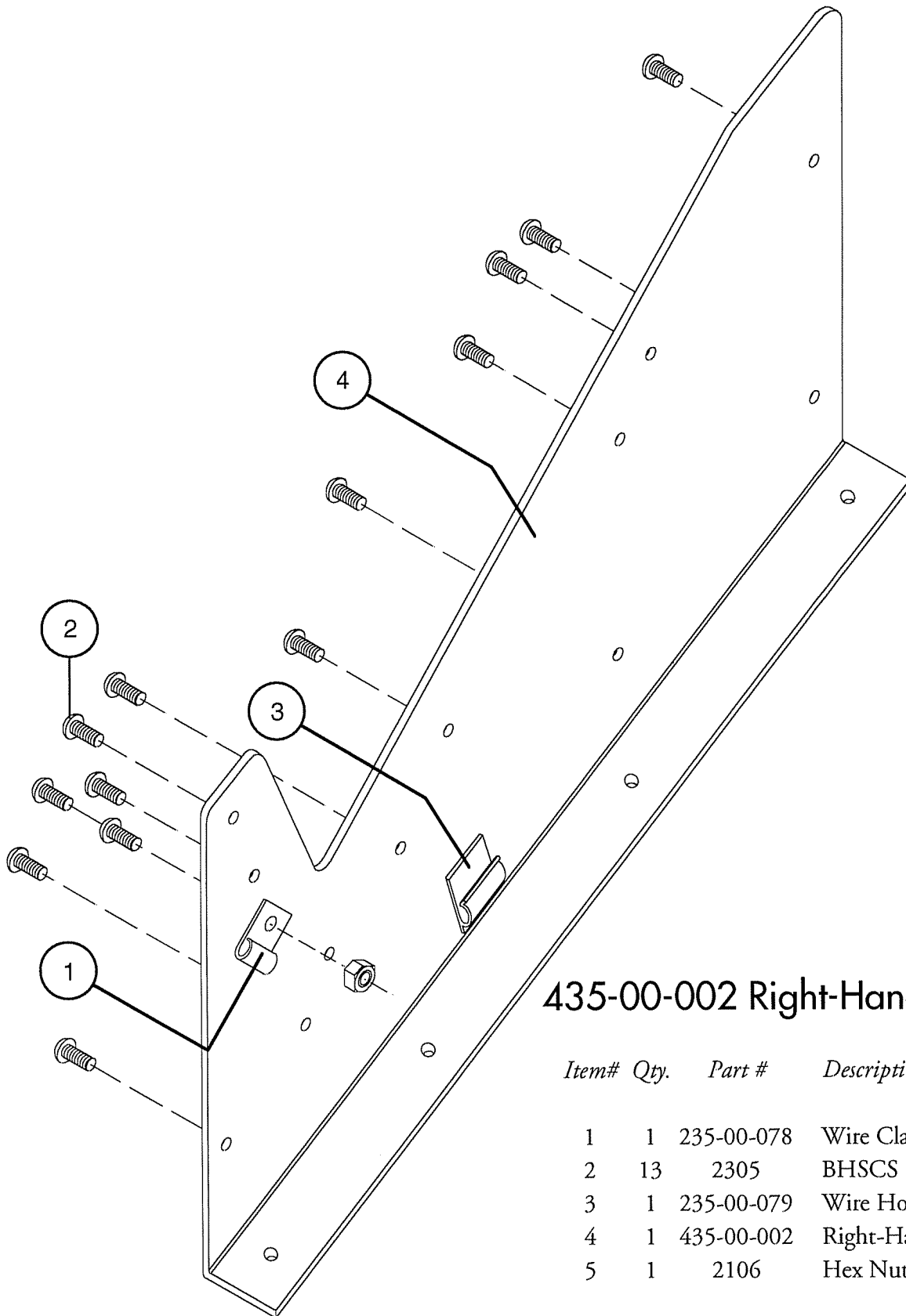
Model 3 EX Mechanical Components





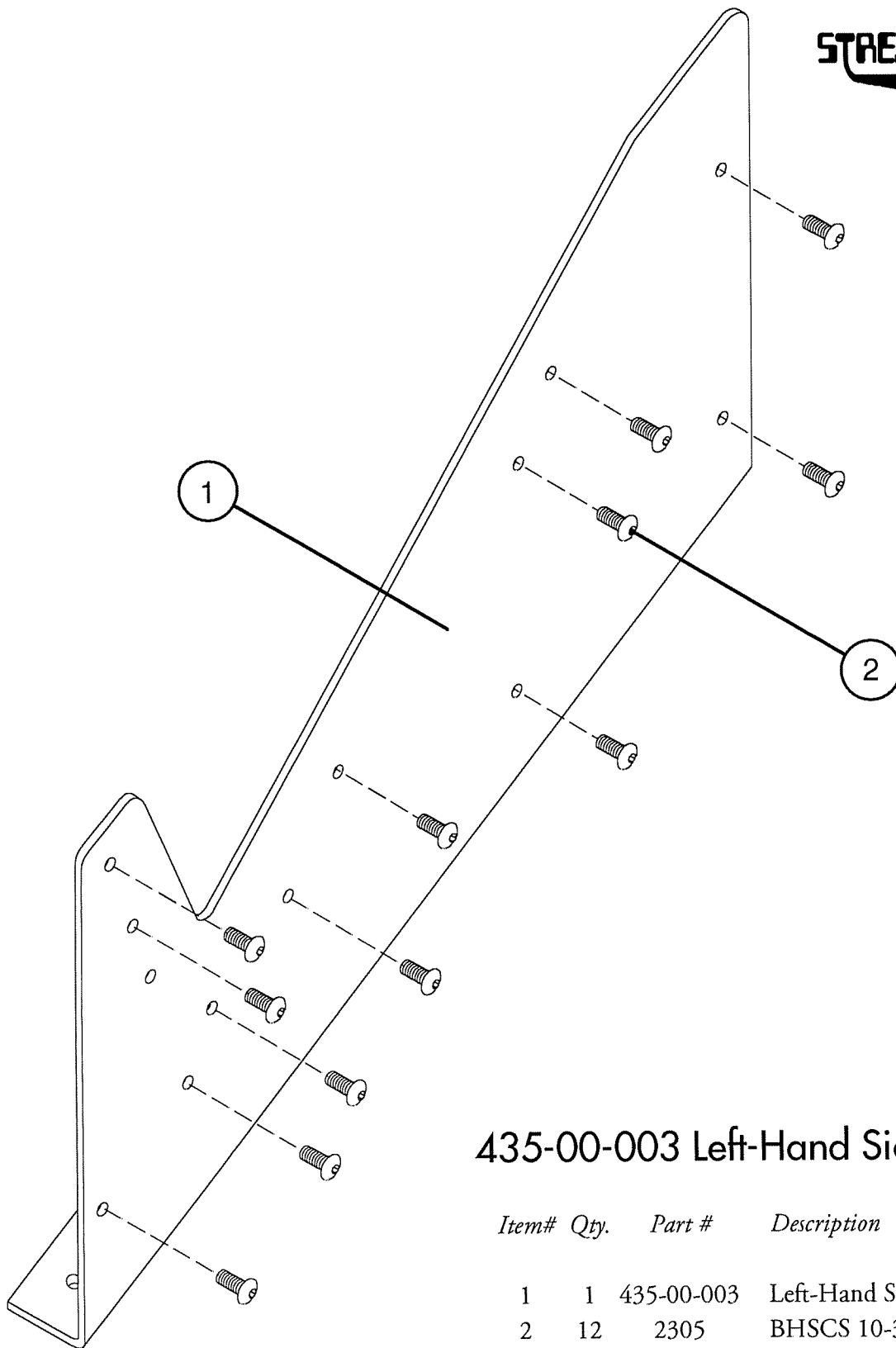
435-EX-001 Gate Holder Plate Assembly

Item#	Qty.	Part #	Description
1	1	235-00-001	Gate Holder Plate
2	2	235-00-045	Short Side Guide Shaft
3	1	235-00-047	Left-Hand Side Guide Bracket
4	2	435-00-044	Lower Side Guide Shaft
5	2	435-50-043	Gate Support Shaft
6	2	435-50-049	Lower Gate Support Shaft
7	1	235-00-048	Right-Hand Side Guide Bracket
8	4	2310	SHCS 10-32 x 3/8"
9	2	235-00-092	Medium Knob



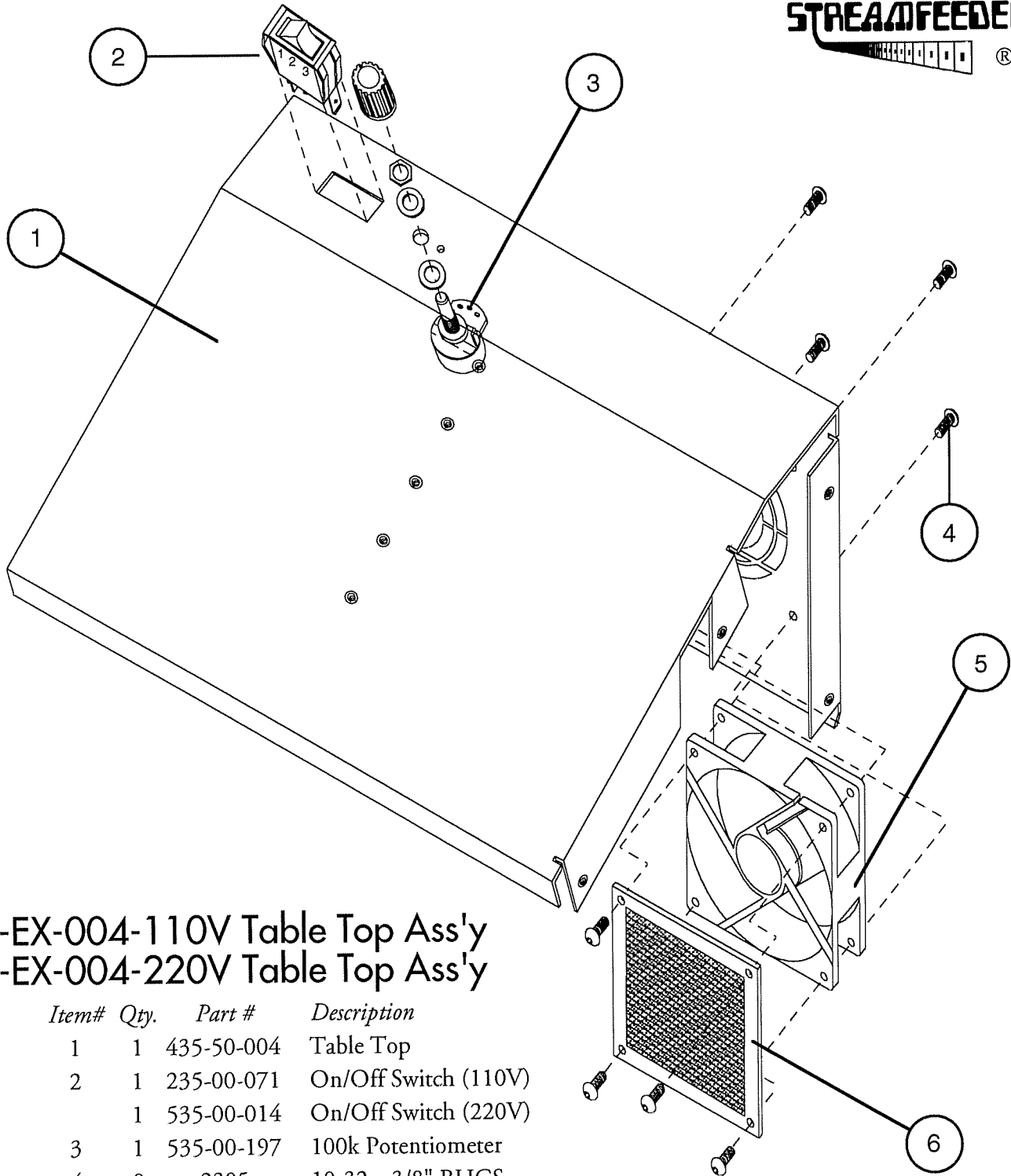
435-00-002 Right-Hand Side Plate

<i>Item#</i>	<i>Qty.</i>	<i>Part #</i>	<i>Description</i>
1	1	235-00-078	Wire Clamp
2	13	2305	BHSCS 10-32 x 3/8"
3	1	235-00-079	Wire Holder
4	1	435-00-002	Right-Hand Side Plate
5	1	2106	Hex Nut, 10-32



435-00-003 Left-Hand Side Plate

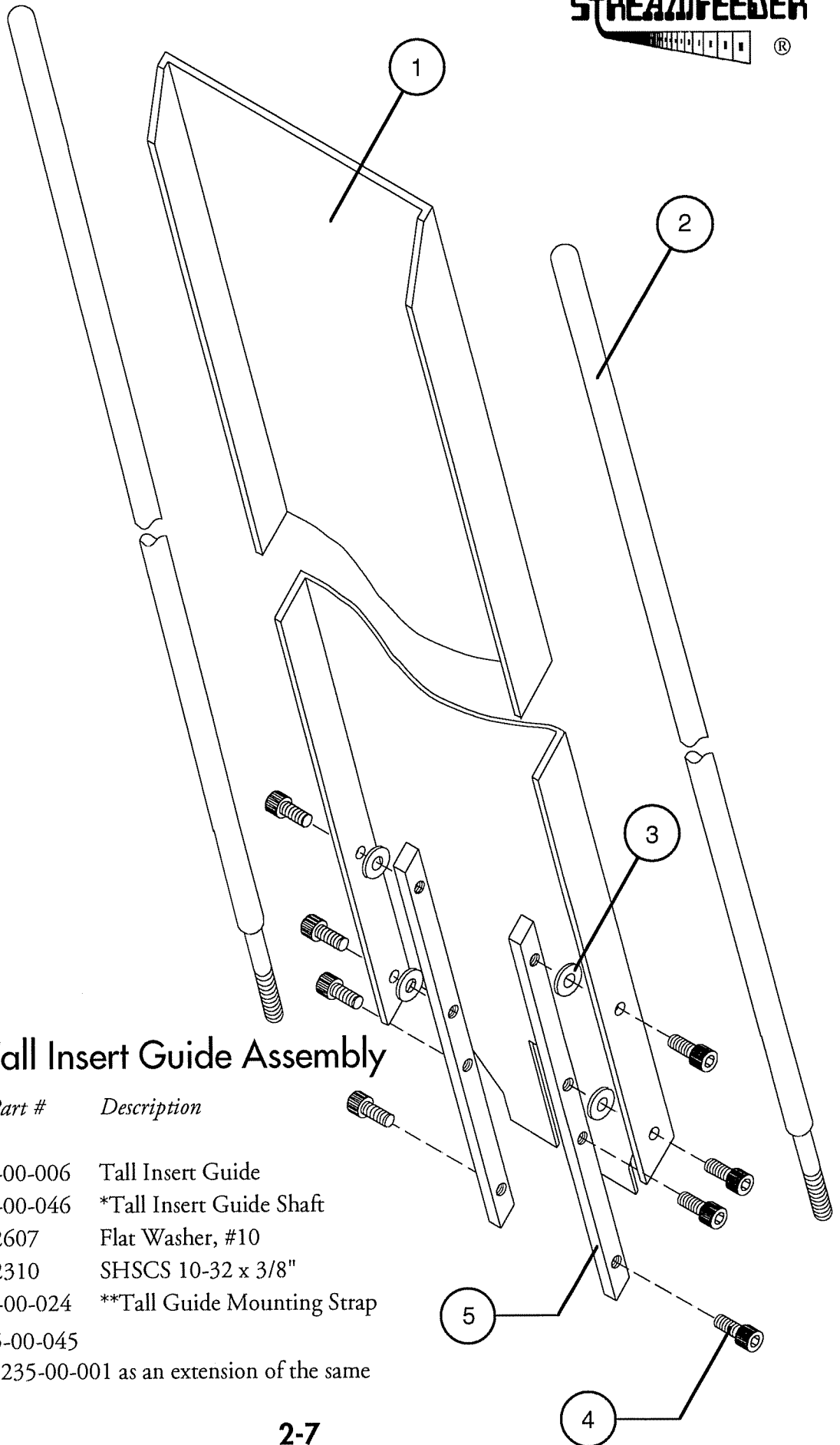
<i>Item#</i>	<i>Qty.</i>	<i>Part #</i>	<i>Description</i>
1	1	435-00-003	Left-Hand Side Plate
2	12	2305	BHSCS 10-32 x 3/8"



435-EX-004-110V Table Top Ass'y
435-EX-004-220V Table Top Ass'y

Item#	Qty.	Part #	Description
1	1	435-50-004	Table Top
2	1	235-00-071	On/Off Switch (110V)
	1	535-00-014	On/Off Switch (220V)
3	1	535-00-197	100k Potentiometer
4	8	2305	10-32 x 3/8" BHCS
5	1	535-00-004	Fan
6	1	535-00-105	Fan Filter Screen
NS	1	435-00-065	2.5 AMP Mylar Label
NS	1	535-00-121	240V Decal
NS	1	235-00-064	USA Label
NS	1	235-00-066	Nameplate
NS	4	1101	Drive Screw

NS Items Not Shown On Drawing



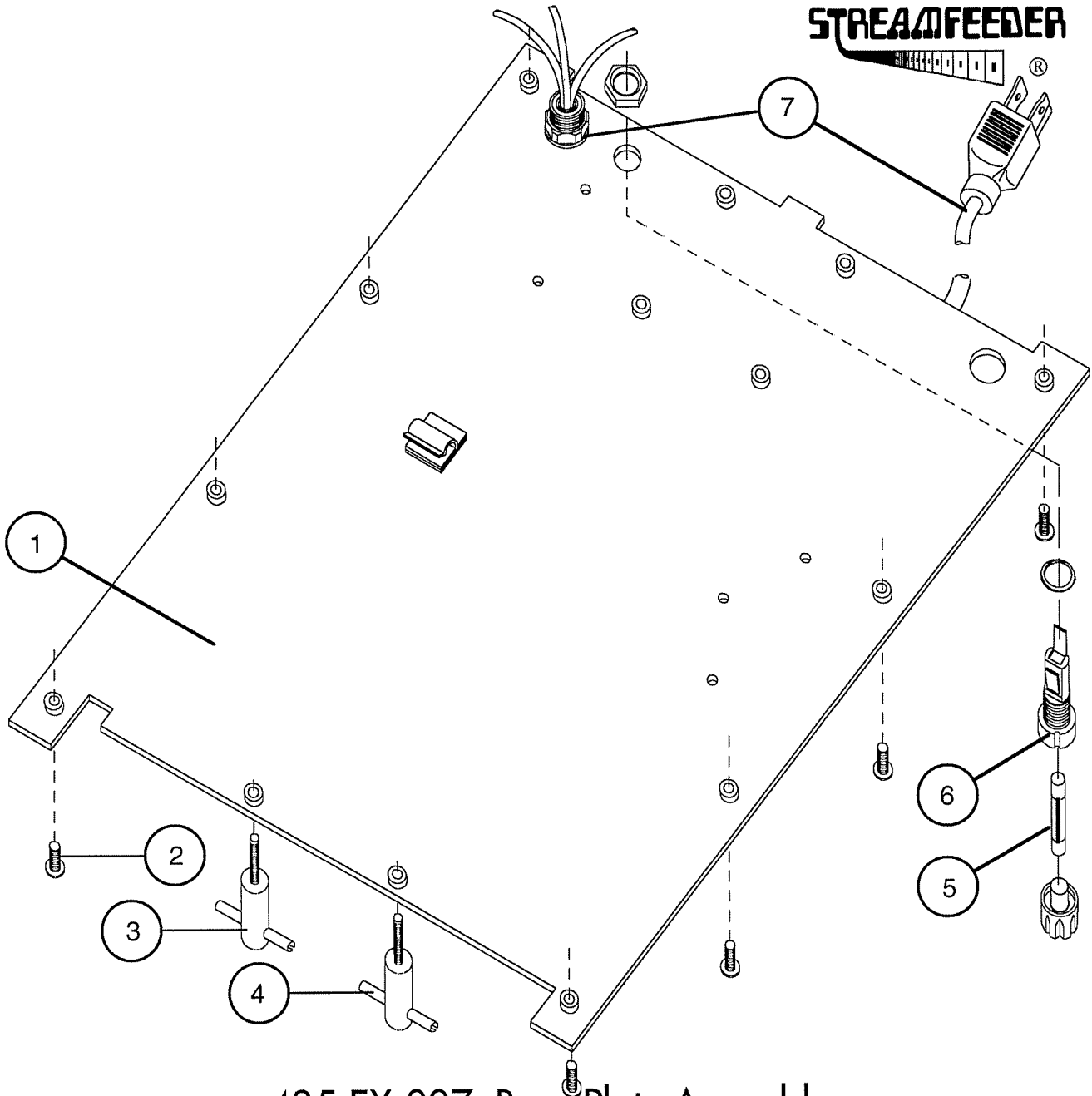
235-11-006 Tall Insert Guide Assembly

Item#	Qty.	Part #	Description
1	1	235-00-006	Tall Insert Guide
2	2	235-00-046	*Tall Insert Guide Shaft
3	4	2607	Flat Washer, #10
4	8	2310	SHSCS 10-32 x 3/8"
5	2	235-00-024	**Tall Guide Mounting Strap

* Replaces 235-00-045

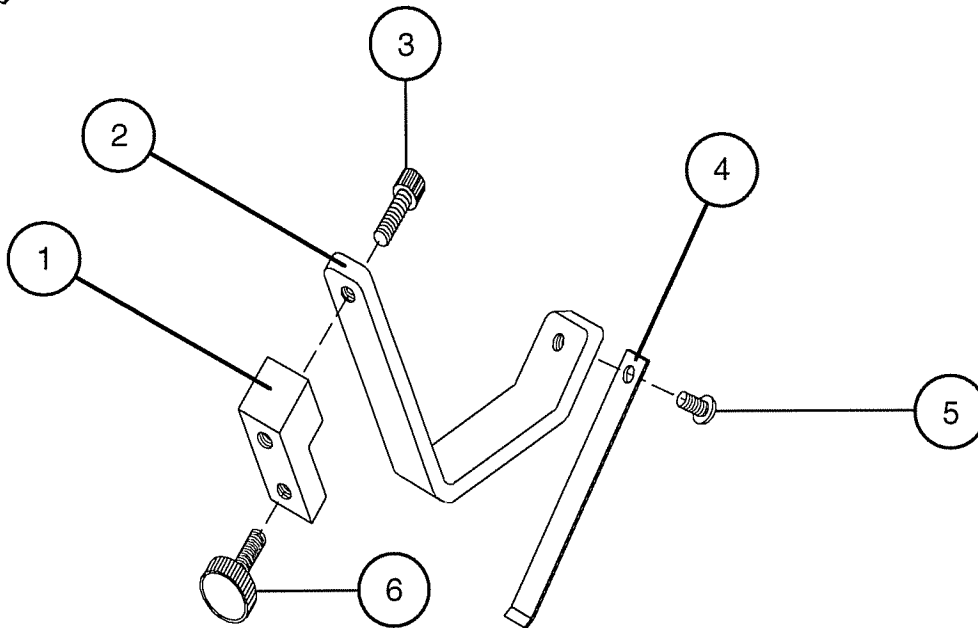
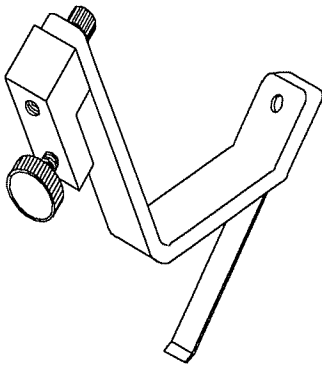
** Attaches to 235-00-001 as an extension of the same

STREAMFEEDER



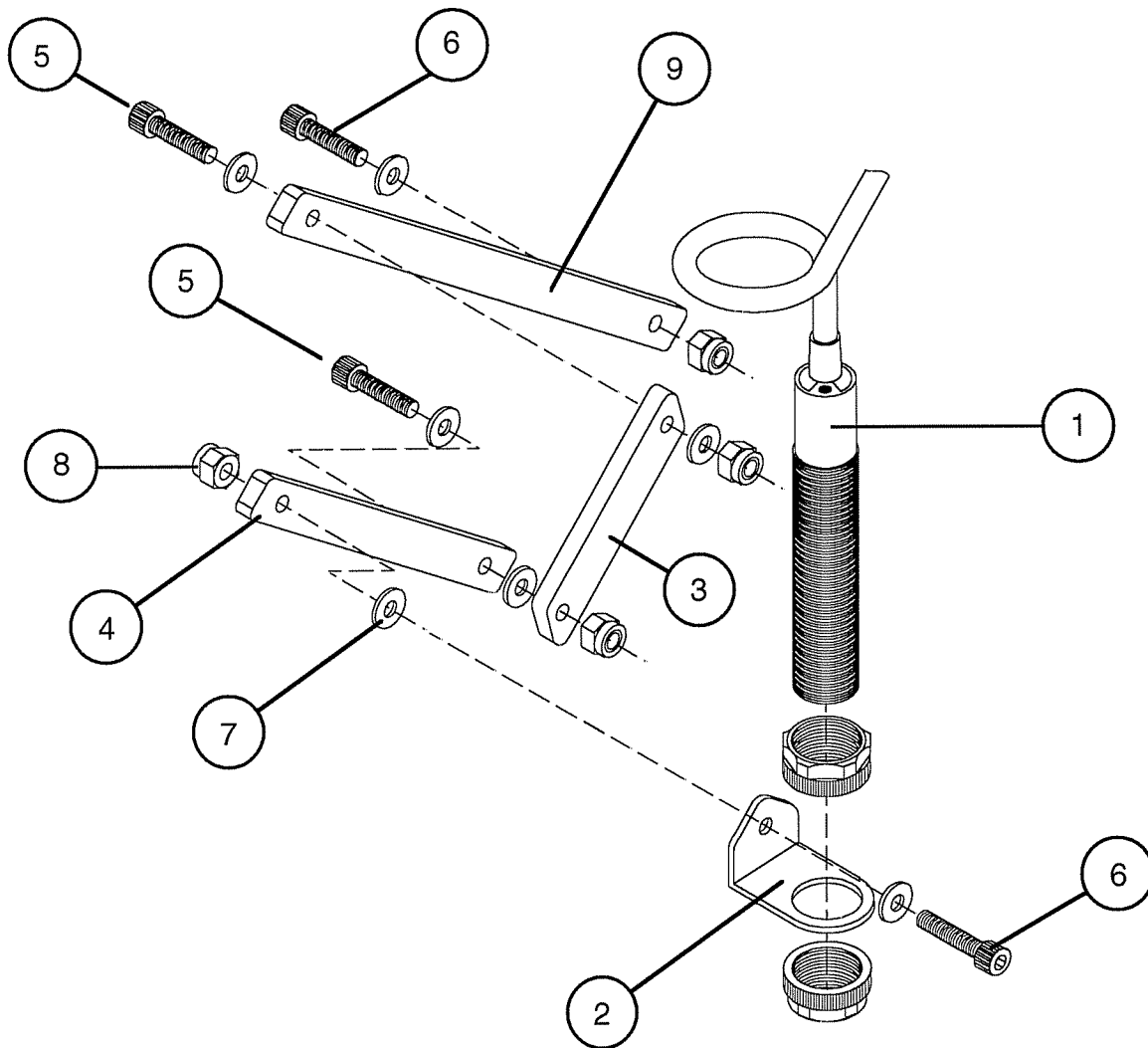
435-EX-007 Base Plate Assembly

Item#	Qty.	Part #	Description
1	1	435-50-007	Base Plate
2	8	2305	10-32 x 3/8" BHCS
3	2	435-00-022	Locking Screw
4	2	1100	Spring Pin
5	1	435-00-084	Fuse, 2.5 AMP
6	1	335-00-085	Fuse Holder
7	1	435-11-087	Power Cord Assembly
8	1	235-00-079	Wire Holder
NS	1	435-11-076	Wire Lead
NS	Items Not Shown On Drawing		



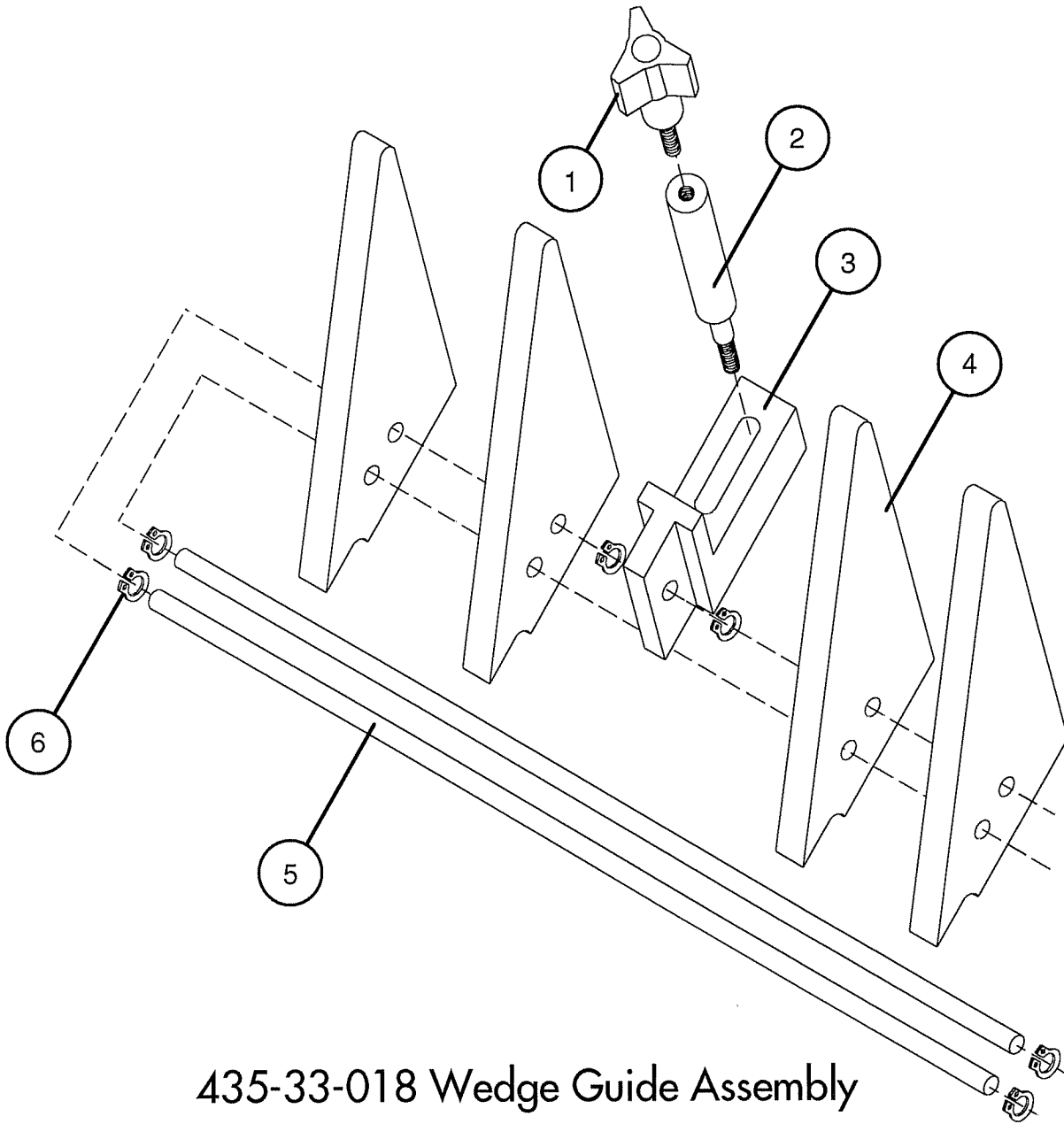
235-11-008 Standard Material Hold Down Assembly (Two Full Assemblies Required per Machine)

<i>Item#</i>	<i>Qty.</i>	<i>Part #</i>	<i>Description</i>
1	1	235-00-008	Material Guide Bracket
2	1	235-00-009	Material Guide Bar
3	1	2315	BHSCS 10-32 x 1/2"
4	1	235-00-010	Material Hold Down Spring
5	1	2210	BHSCS 8-32 x 1/4"
6	1	235-00-091	Small Thumb Screw
		2315	SHCS 10-32 x 1/2"



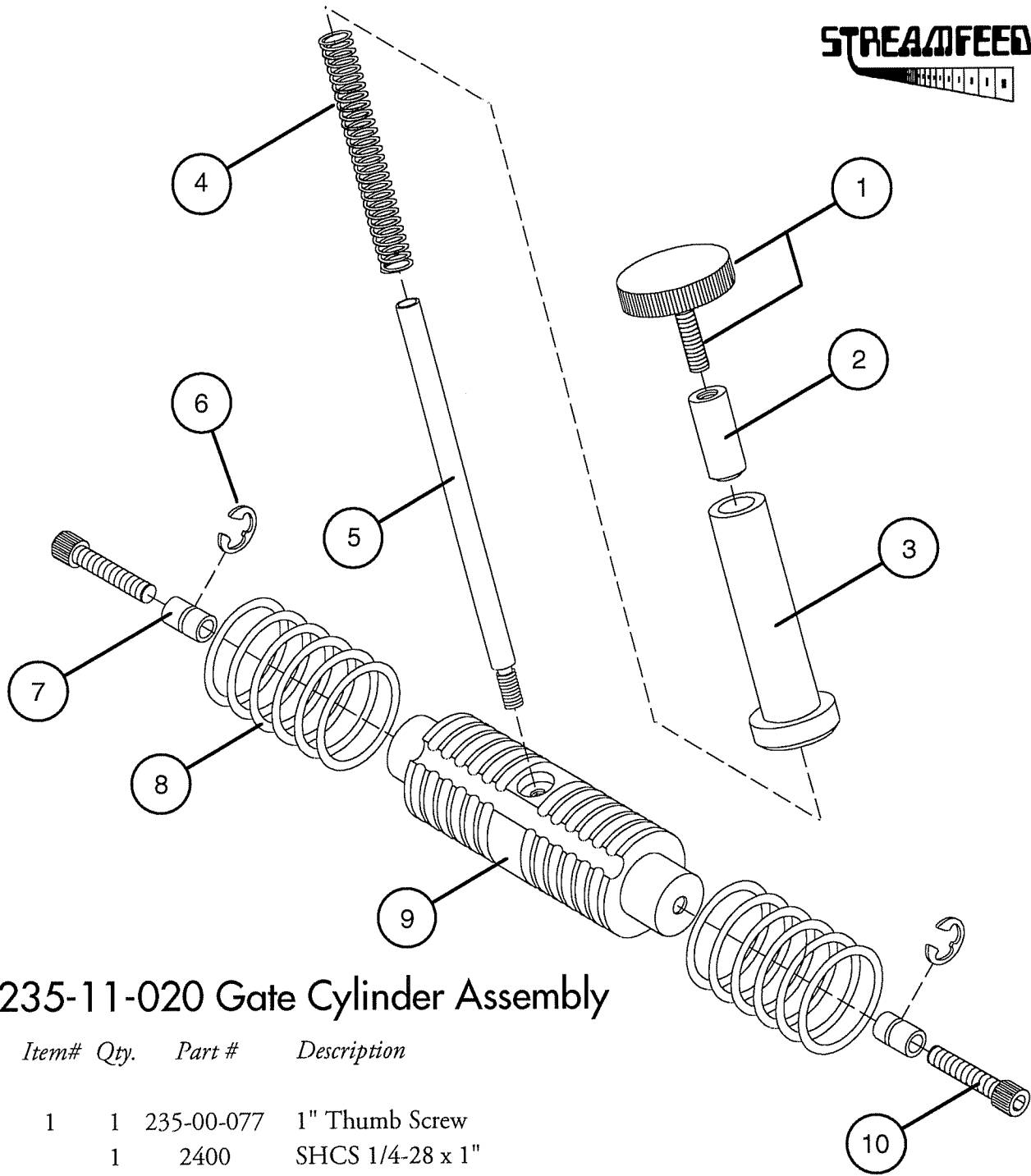
435-11-016 Sensor Extension Assembly

Item#	Qty.	Part #	Description
1	1	535-00-038	Proximity Sensor w/ Nuts & Washers
2	1	235-00-007	Sensor Bracket
3	1	235-00-015	Sensor Extension Bracket "A"
4	1	235-00-016	Sensor Extension Bracket "B"
5	2	2325	SHCS 10-32 x 3/4"
6	2	2320	SHCS 10-32 x 5/8"
7	8	2607	Flat Washer #10
8	4	2110	Nylock Nut 10-32
9	1	435-00-016	Sensor Extension
NS	2	235-00-080	Cable Tie
NS	Items Not Shown On Drawing		



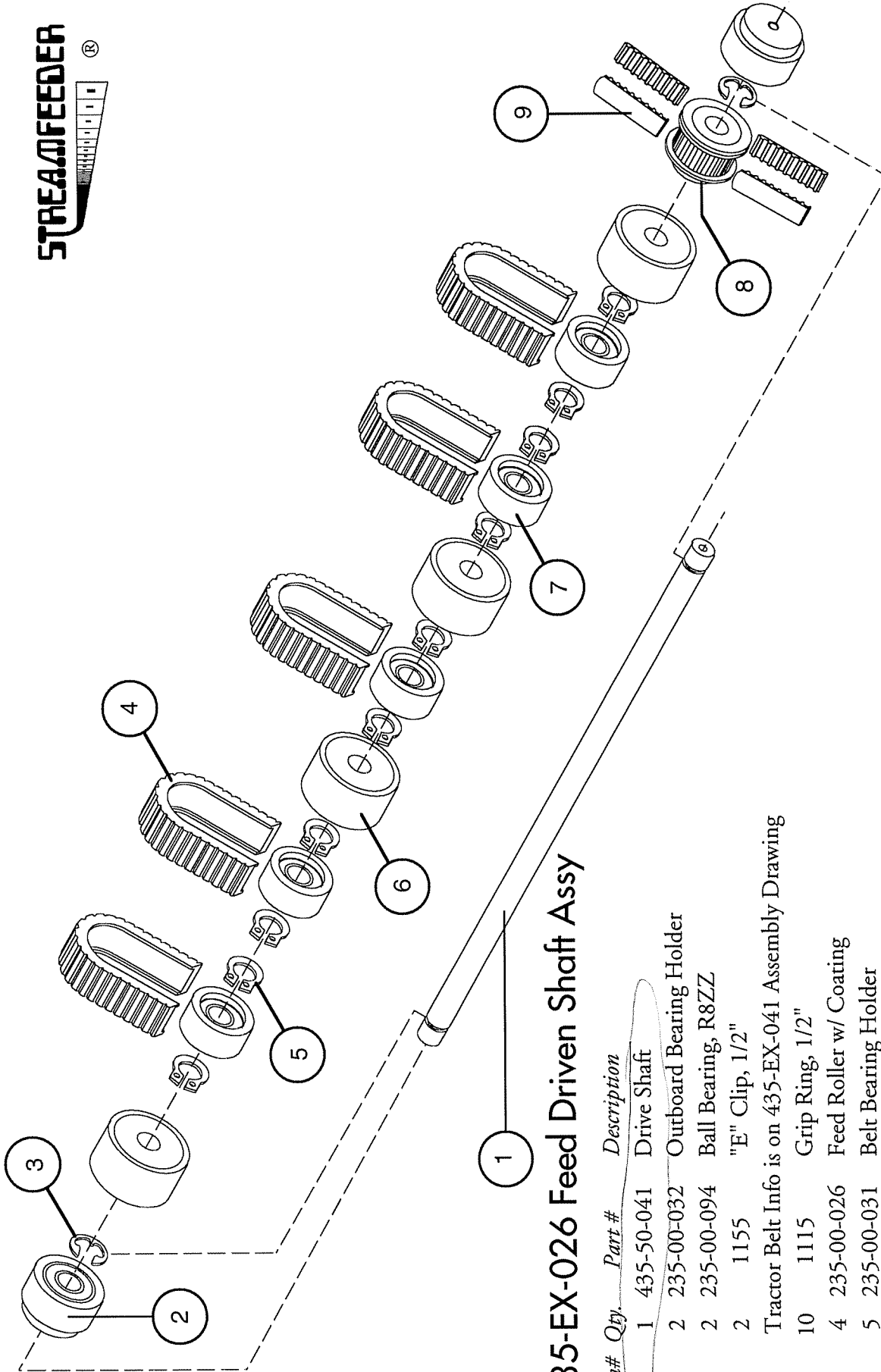
435-33-018 Wedge Guide Assembly

<i>Item#</i>	<i>Qty.</i>	<i>Part #</i>	<i>Description</i>
1	1	235-00-092	Medium Knob
2	1	235-00-023	Knob Extension
3	1	235-00-017	Wedge Hold Down Bracket
4	4	435-00-018	Material Support Wedge
5	2	435-50-033	Wedge Guide Shaft
6	6	1105	Grip Ring 1/4"



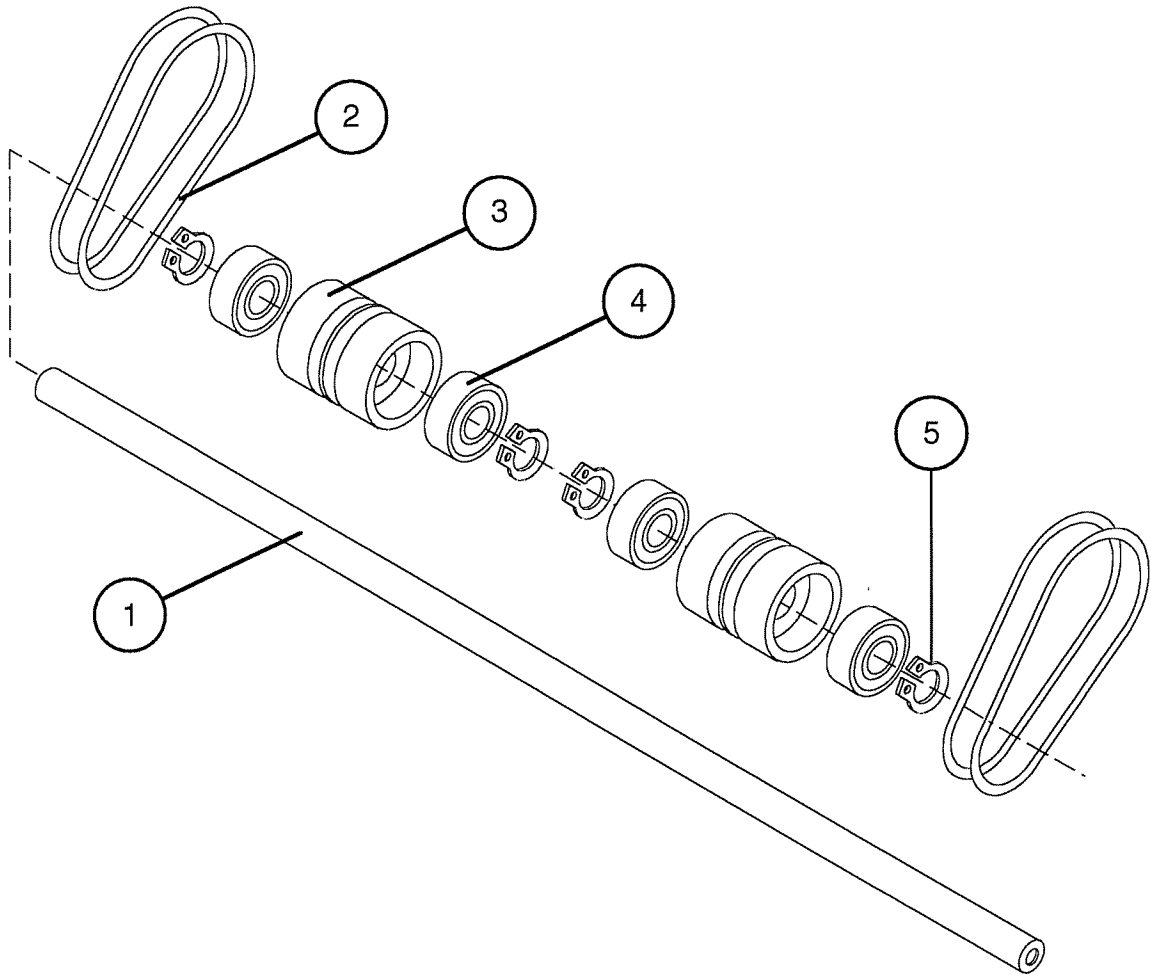
235-11-020 Gate Cylinder Assembly

Item#	Qty.	Part #	Description
1	1	235-00-077	1" Thumb Screw
	1	2400	SHCS 1/4-28 x 1"
2	1	235-00-037	Adjustment Knob Sleeve
3	1	235-00-019	Gate Spring Tension Cylinder
4	1	235-00-083	Gate Compression Spring
5	1	235-00-035	Gate Lift Shaft
6	2	1150	"E" Clip 3/8"
7	2	235-00-082	Spacer, 1/2"
8	12	235-00-089	Gate Cylinder O-Ring
9	1	235-00-020	Gate Cylinder
10	2	2390	SHCS 1/4 x 20 x 1"



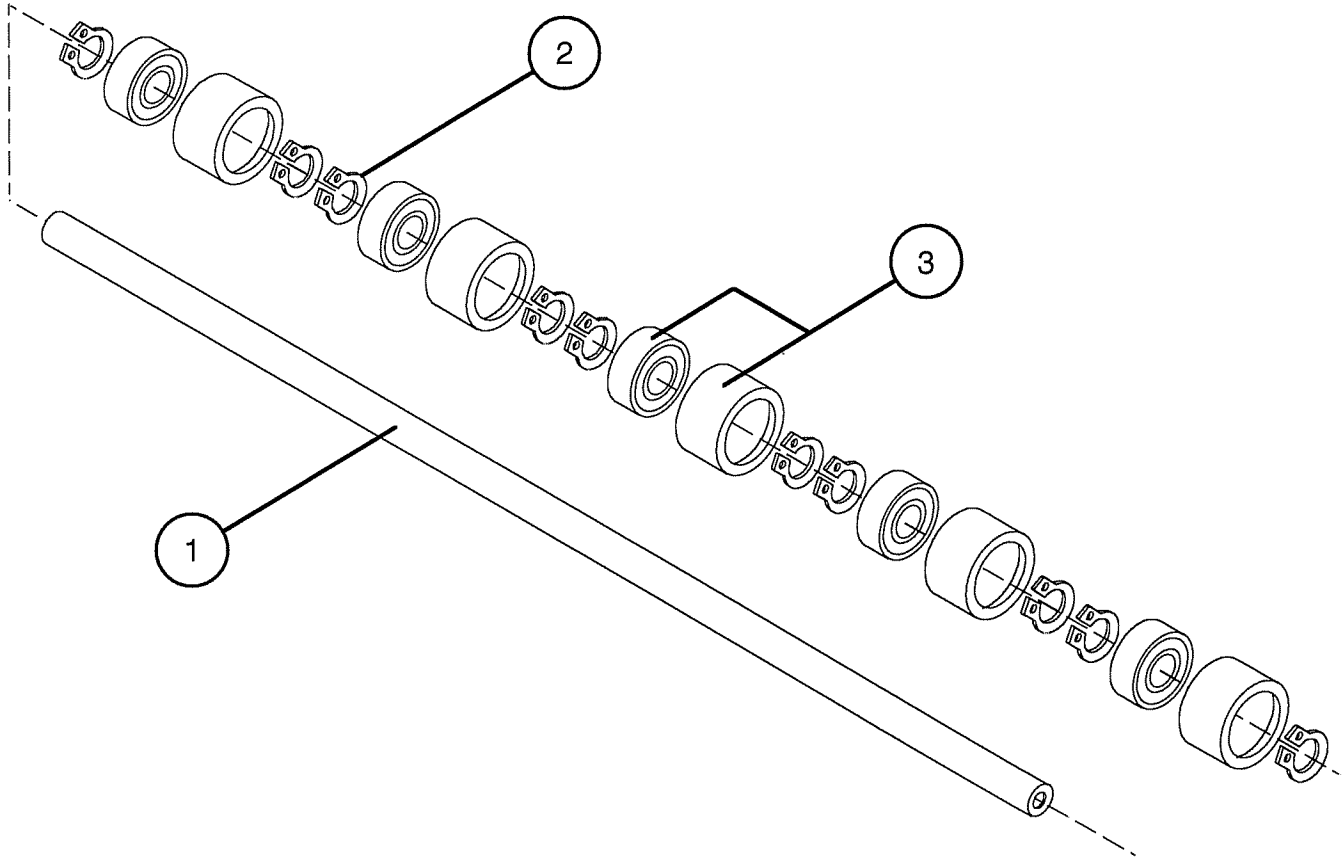
435-EX-026 Feed Driven Shaft Assy

Item#	Qty.	Part #	Description
1	1	435-50-041	Drive Shaft
2	2	235-00-032	Outboard Bearing Holder
2	2	235-00-094	Ball Bearing, R8ZZ
3	2	1155	"E" Clip, 1/2"
4	Tractor Belt Info is on 435-EX-041 Assembly Drawing		
5	10	1115	Grip Ring, 1/2"
6	4	235-00-026	Feed Roller w/ Coating
7	5	235-00-031	Belt Bearing Holder
5	5	235-00-094	Ball Bearing, R8ZZ
8	1	235-00-097	Driven Timing Pulley
9	Drive Belt Info is on 435-EX-041 Assembly Drawing		
NS	6	2217	Set Screw, 10-32 x 1/4"



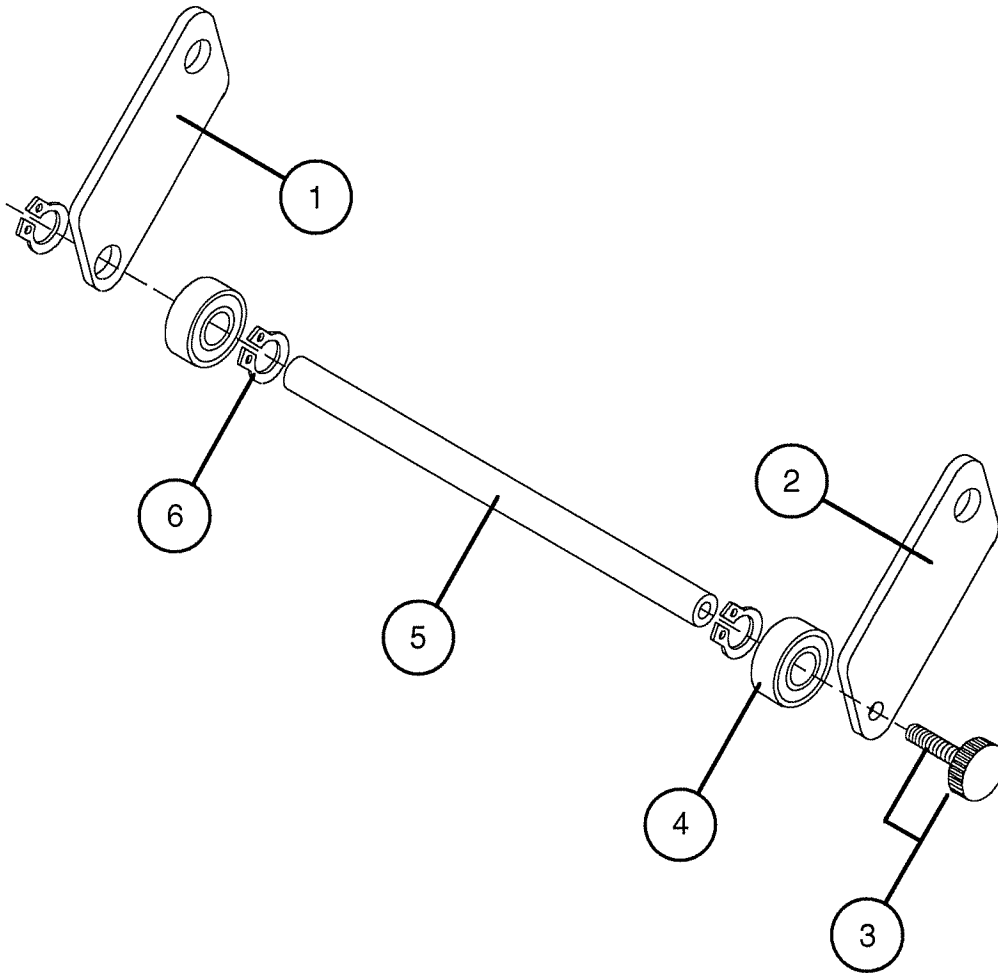
435-EX-029 O-Ring Discharge Assembly

<i>Item#</i>	<i>Qty.</i>	<i>Part #</i>	<i>Description</i>
1	1	435-50-036	Discharge Shaft
2	4	235-00-090	Discharge O-Ring
3	2	235-00-029	O-Ring Bearing Pulley
4	4	235-00-095	Ball Bearing, R6ZZ
5	4	1110	Grip Ring, 3/8"



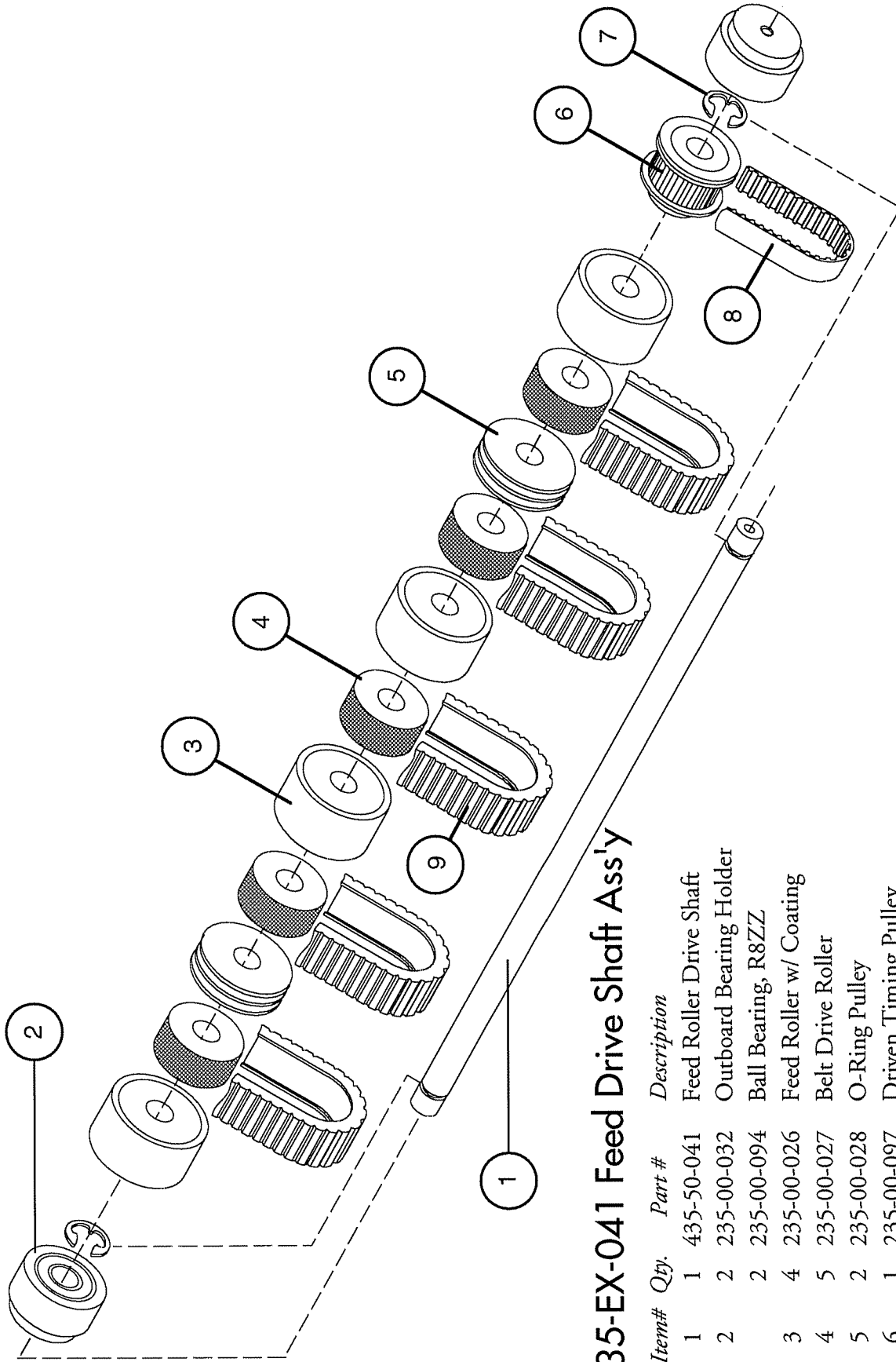
435-EX-030 Belt Support Bearing Assembly

<i>Item#</i>	<i>Qty.</i>	<i>Part #</i>	<i>Description</i>
1	1	435-50-036	Belt Support Bearing Shaft
2	10	1110	Grip Ring, 3/8"
3	5	235-00-030	Belt Support Bearing Holder
	5	235-00-095	Ball Bearing, R6ZZ



235-11-034 Discharge Assist Assembly

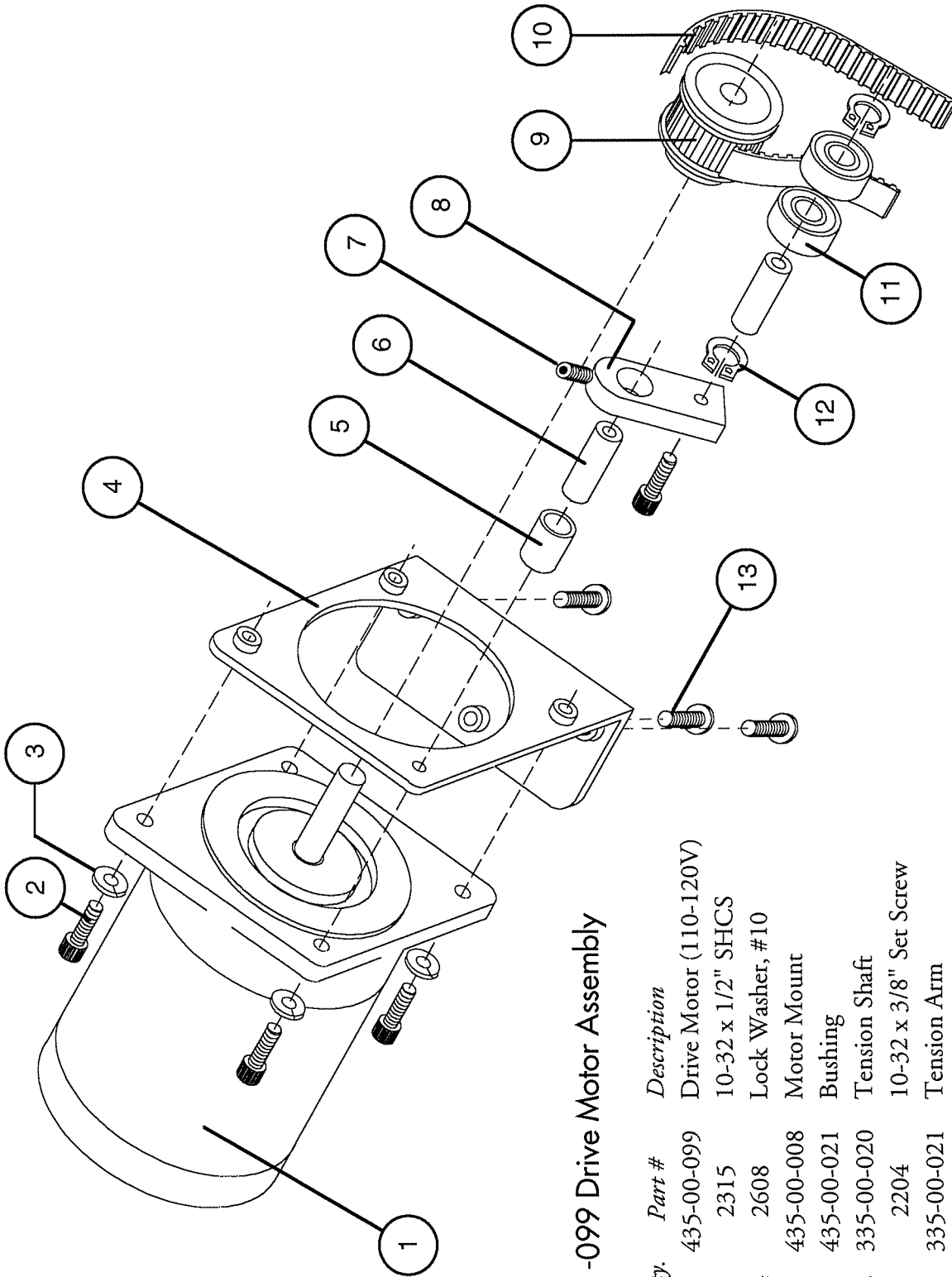
<i>Item#</i>	<i>Qty.</i>	<i>Part #</i>	<i>Description</i>
1	1	235-00-014	Left-Hand Discharge Bracket
2	1	235-00-013	Right-Hand Discharge Bracket
3	1	235-00-091	Small Thumb Screw Knob
	1	2315	SHCS 10-32 x 1/2"
4	2	235-00-095	Ball Bearing R6ZZ
5	1	235-00-034	Discharge Bracket Shaft
6	3	1110	Grip Ring 3/8"



435-EX-041 Feed Drive Shaft Ass'y

Item#	Qty.	Part #	Description
1	1	435-50-041	Feed Roller Drive Shaft
2	2	235-00-032	Outboard Bearing Holder
2	2	235-00-094	Ball Bearing, R8ZZ
3	4	235-00-026	Feed Roller w/ Coating
4	5	235-00-027	Belt Drive Roller
5	2	235-00-028	O-Ring Pulley
6	1	235-00-097	Driven Timing Pulley
7	2	1155	"E" Clip, 1/2"
8	1	435-00-096	Drive Belt
9	5	235-00-088	Tractor Belt
NS	13	2217	Set Screw, 10-32 x 1/4"
NS Items Not Shown On Drawing			

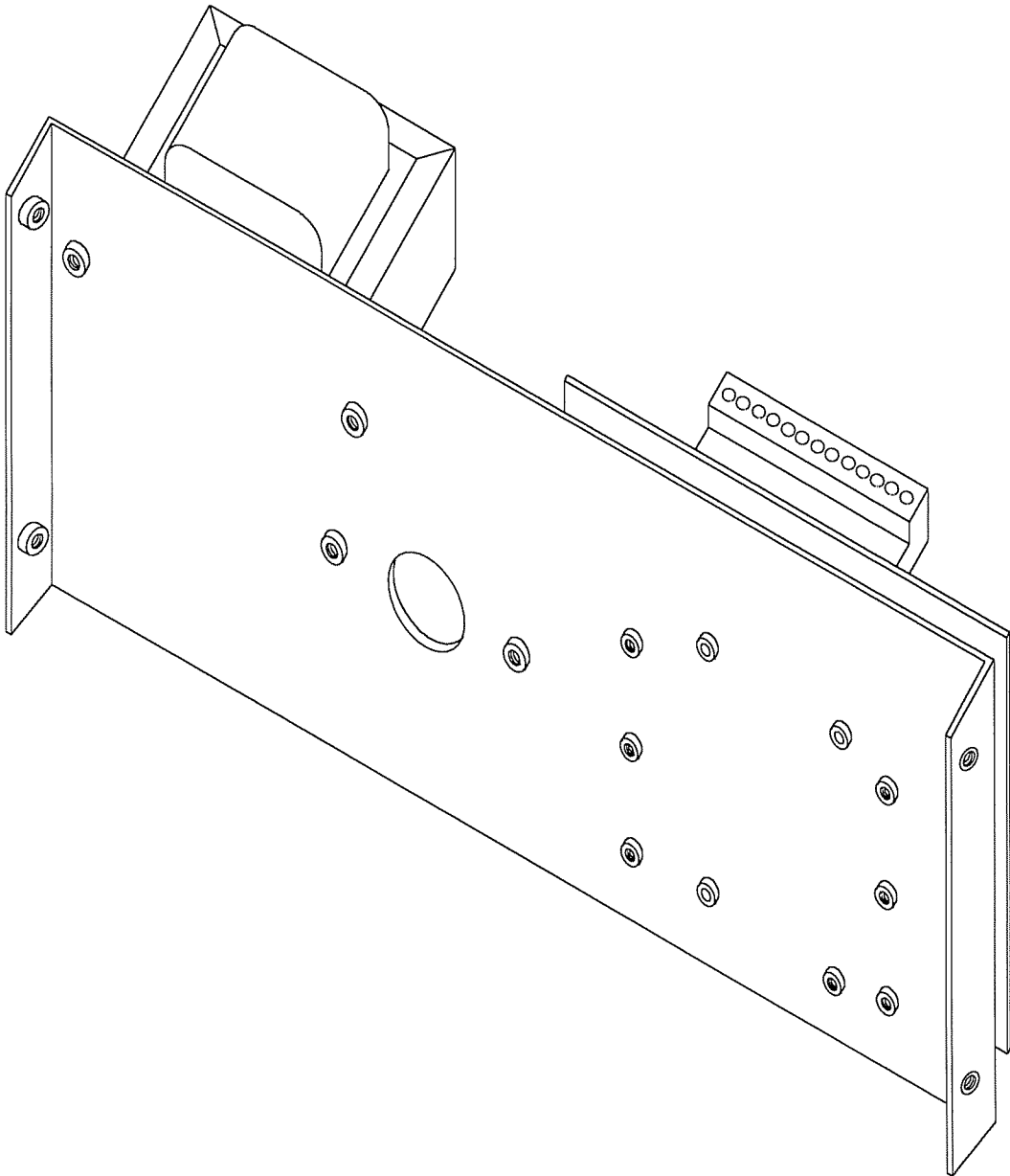




435-11-099 Drive Motor Assembly

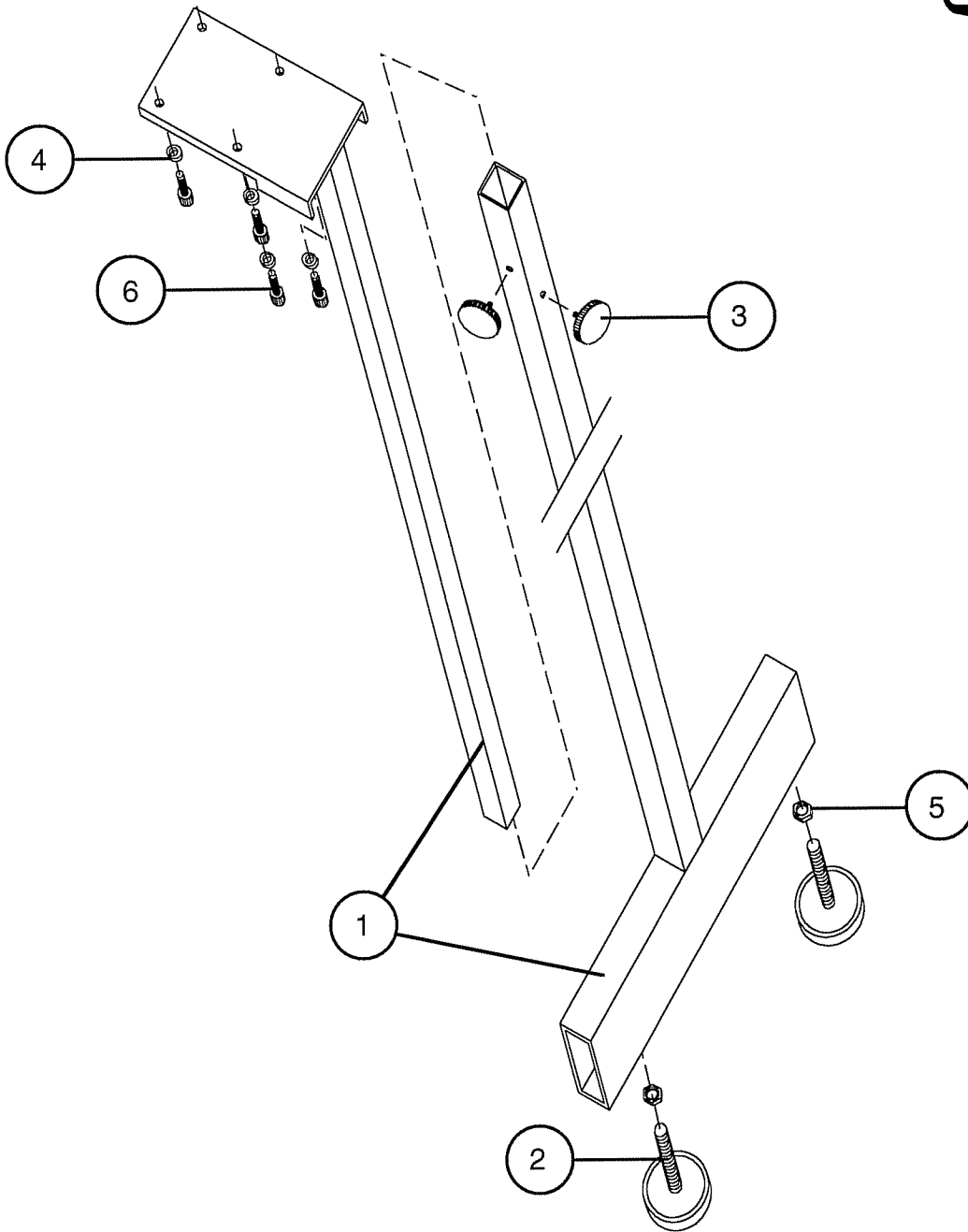
Item#	Qty.	Part #	Description
1	1	435-00-099	Drive Motor (110-120V)
2	5	2315	10-32 x 1/2" SHCS
3	4	2608	Lock Washer, #10
4	1	435-00-008	Motor Mount
5	1	435-00-021	Bushing
6	2	335-00-020	Tension Shaft
7	1	2204	10-32 x 3/8" Set Screw
8	1	335-00-021	Tension Arm
9	1	435-00-098	Drive Timing Pulley
10	Drive Belt Info. is on 435-EX-041 Assembly Drawing		
11	2	235-00-095	Ball Bearing, R6ZZ
12	2	1110	Grip Ring, 3/8"
13	3	2305	10-32 x 3/8" BHSCS





535-11-097 Driver Pack Assembly

<i>Item#</i>	<i>Qty.</i>	<i>Part #</i>	<i>Description</i>
NS	1	535-00-115	Chase Nipple
NS	1	535-00-116	Lock Nut

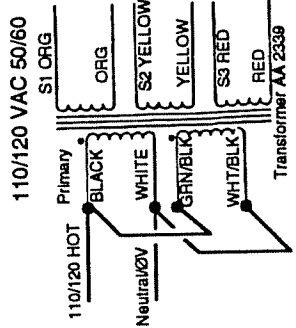
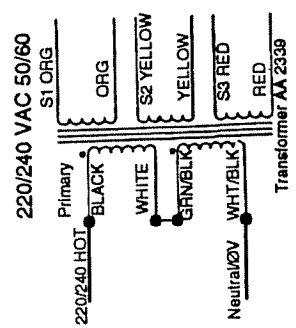


435-11-200 Support Stand Assembly

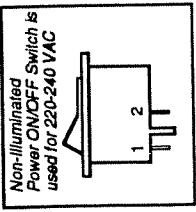
Item#	Qty.	Part #	Description
1	1	435-00-200	Support Stand
2	2		Support Feet (Included With Stand)
3	2	235-00-093	Large Thumb Screw
	2	2360	SHCS 1/4-20 x 1/2
4	4	2607	Flat Washer #10
5	2	2104	Hex Nut 3/8
6	4	2315	SHCS 10-32 x 1/2

Safety Warnings

1. Replace fuse **ONLY** with 2.5 amp fuse
2. You **MUST** use a 3-hole, properly grounded outlet. **DO NOT** remove or otherwise disable the grounding lug on the plug!
3. Use only exact replacement parts when servicing the Streamfeeder™ machine.



Illuminated Power ON/OFF Switch (Note: 115 VAC ONLY)

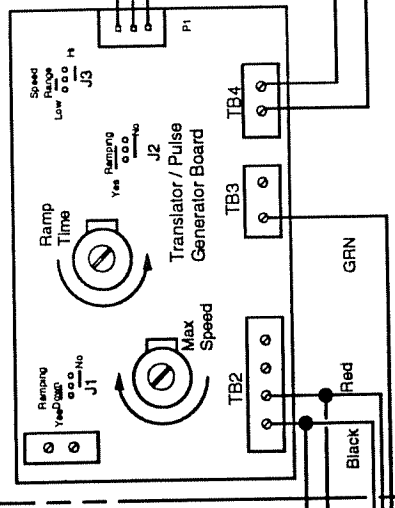


Non-Illuminated Power ON/OFF Switch is used for 220-240 VAC

Fuse
Amp 2.5
Buss MDL 2.5
GMD3 or
equivalent

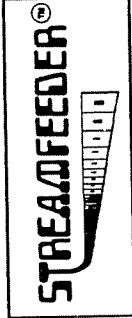
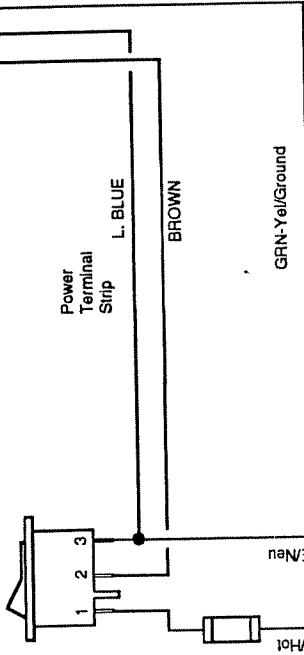
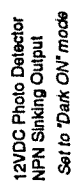
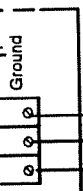
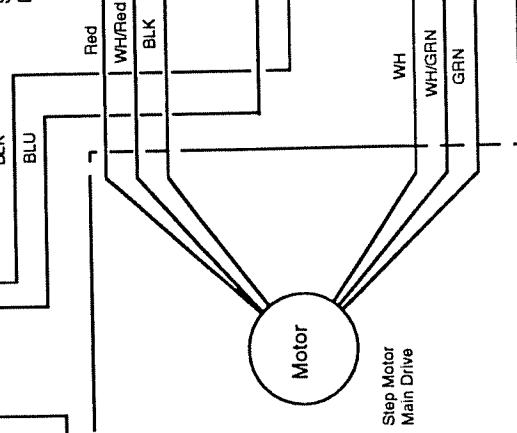
Line Cord
115 VAC, 50/60 Hz
2.5 amp maximum

Stepper Drive Package



Stepper Motor Driver

1	Motor Ø1
2	Motor Ø3
3	1&3 COMM
4	VLV
5	D/C-CCW
6	CLK-CW
7	ØVDC
8	MODE
9	ON/OFF
10	VHV
11	2&4 COMM
12	Motor Ø2
13	Motor Ø4



By: KN
Date: 4 DEC 92

Title: Model III Electrical Connection Diagram
Dwg. No.: Engineering Bulletin 003.3